



# LEFROY BROOKS

1 8 2 8 T R O U T M A N S T R E E T  
R I D G E W O O D N E W Y O R K N Y 1 1 3 8 5 U S A  
T: +1(718) 302 5292 F: +1(718) 302 4177

## CW-1103 (WL1228)

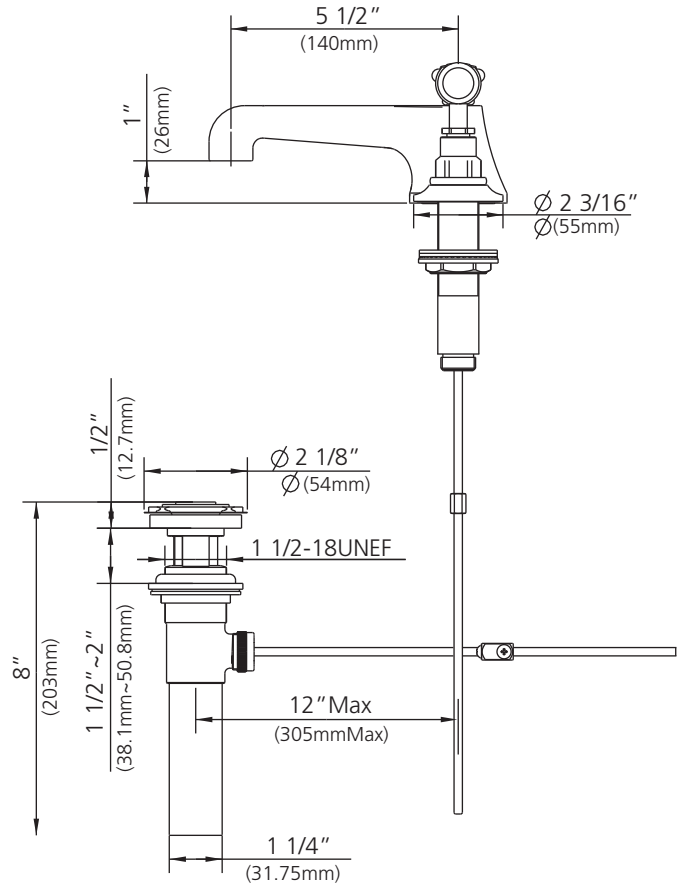
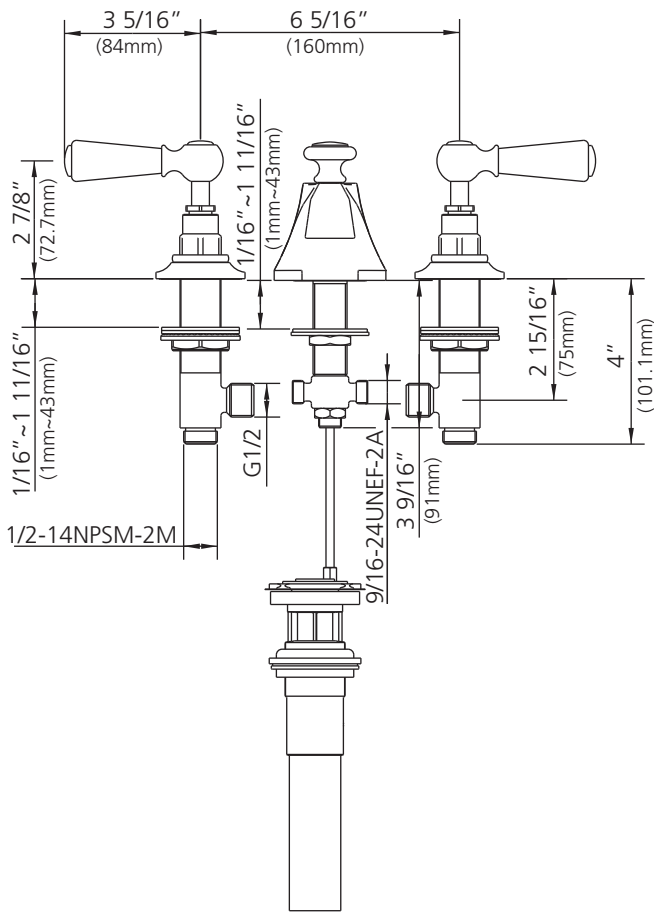
WHITE LEVER MACKINTOSH 3-HOLE BASIN MIXER WITH POP-UP WASTE

### DIMENSIONAL DATA SHEET

DATE: 06 July 2012

No: FW1B6100

COPYRIGHT © LBIP LTD 2012. ALL RIGHTS RESERVED.

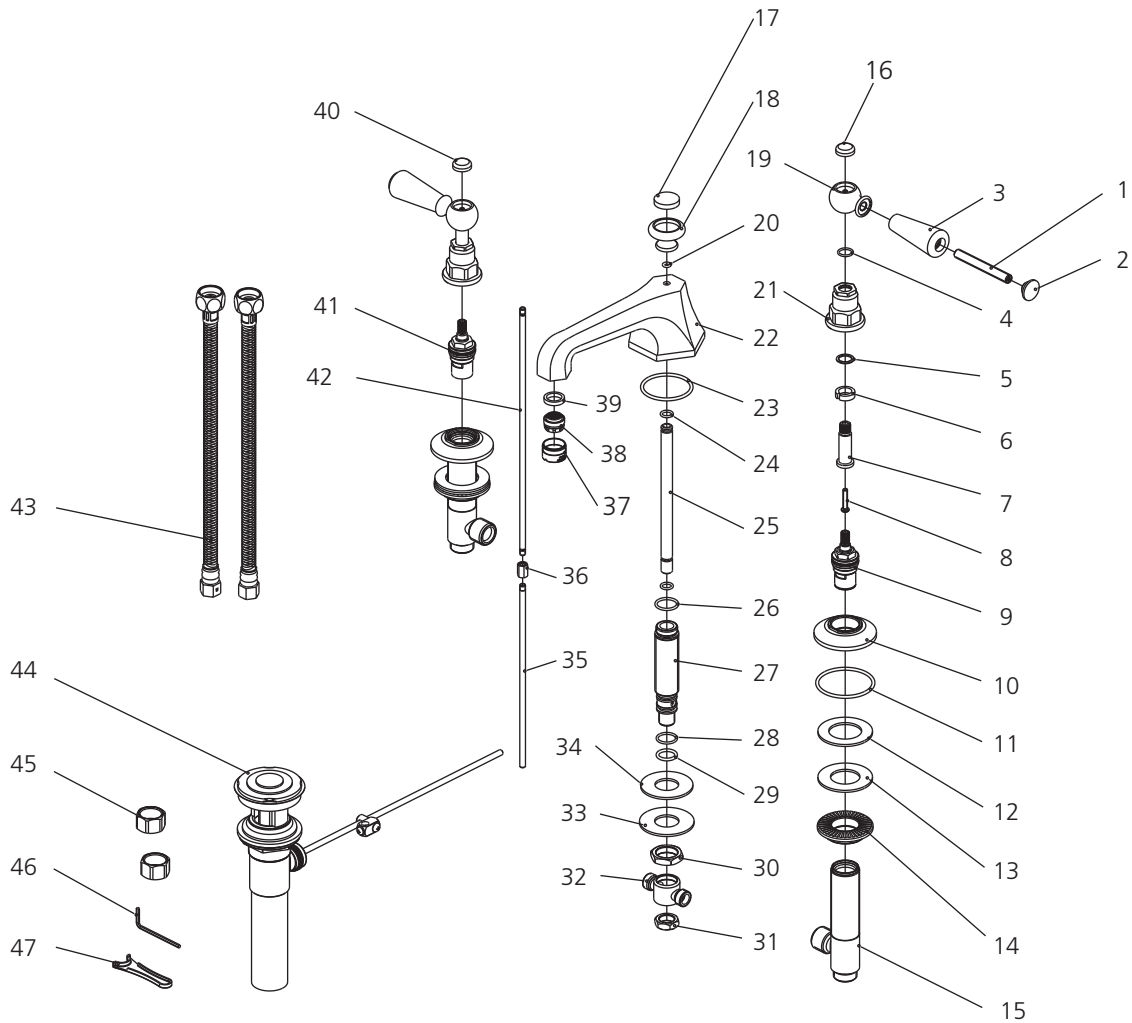


DIMENSIONS IN INCHES & MILLIMETRES

WHILST EVERY EFFORT IS MADE TO ENSURE THE ACCURACY OF THESE DATA SHEETS THEY ARE SUBJECT TO CHANGE WITHOUT NOTICE AS PART OF THE COMPANY'S PRODUCT DEVELOPMENT PROCESS

# CW-1103 (WL1228)

WHITE LEVER MACKINTOSH 3-HOLE BASIN MIXER WITH POP-UP WASTE

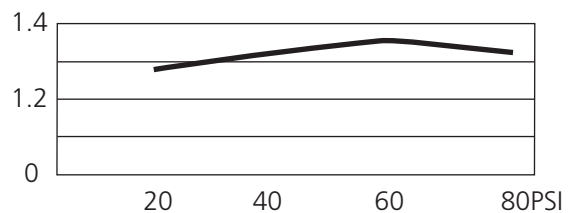


1	Screw (017094)	17	Ceramic cap (129312-50)	33	Washer (013202)
2	Lever cap (109376)	18	Pop-up knob (124408)	34	Washer (060041)
3	Handle sleeve (108924)	19	Lever seat (205144)	35	Pop-up rod (110041)
4	O-ring (048085)	20	O-ring (048027N)	36	Adaptor (077125)
5	Washer (013224)	21	Canopy (018220)	37	Aerator housing (305800N-50)
6	Clip (012242)	22	Spout (002252W)	38	Aerator insert (553648N)
7	Stem extension (110461)	23	O-ring (004072N)	39	Oil-seal (010095N)
8	Screw (008744)	24	O-ring (004001N)	40	Ceramic cap (129313H)
9	Cartridge ( C ) (507176W)	25	Brass tube (043412N)	41	Cartridge ( H ) (507175W)
10	Escutcheon (215486)	26	O-ring (004043N)	42	Pop-up rod (125412)
11	O-ring (004627)	27	Connection tube (014016W)	43	Flexible hose (105750W)
12	Oil-seal (010017)	28	O-ring (004115N)	44	Pop-up sub-assembly (556781)
13	Washer (013158)	29	O-ring (004005N)	45	Coupling nut (504003)
14	Nut (009834)	30	Nut (009009)	46	Allen key (031000)
15	Body (061893W)	31	Nut (009002)	47	Wrench (031025)
16	Ceramic cap (129313C)	32	Connector (015001W)		

## Standards

IAPMO/cUPC Listed  
Meets NSF 61-9  
Meets A112.18.1

## Flow Rate



Please note :

Final achievable flow rate is dependent on the outlets fitted, see relevant outlets (spouts, roses, sprays) for fully assembled product flow rate.